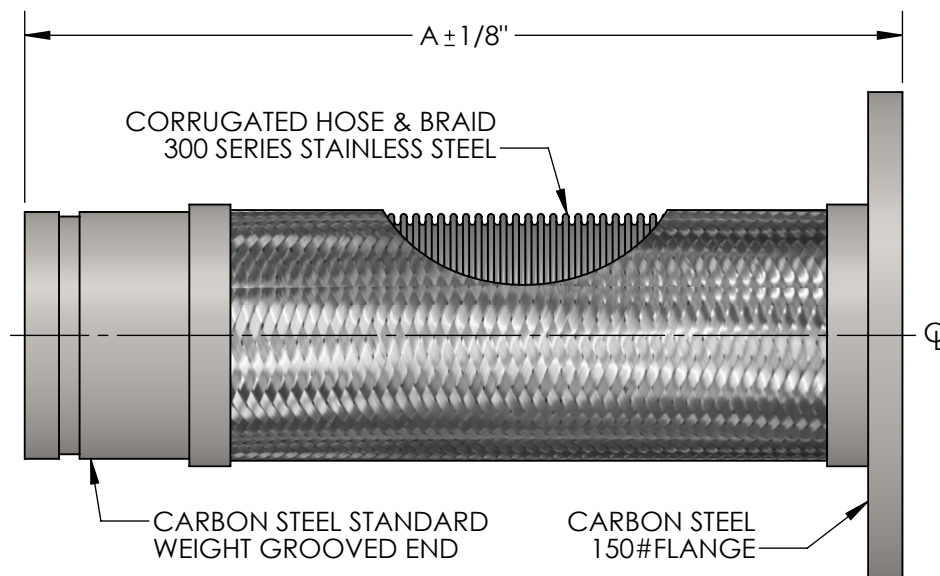


**MODEL GFC
GROOVED x FLANGED FLEXIBLE PUMP CONNECTOR**

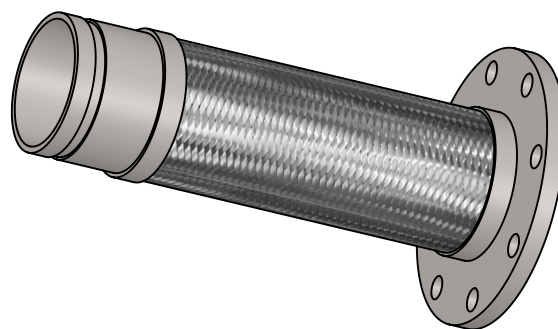


QTY	PART NUMBER	PIPE SIZE		A	PRESSURE RATING (PSI)*	WEIGHT (LBS)	PROJECT INFORMATION
		INCH	MM				
	GFC0200	2"	50	12	516	9	
	GFC0250	2-1/2"	65	14	387	13	
	GFC0300	3"	80	14	316	14	
	GFC0400	4"	100	16	232	18	
	GFC0500	5"	125	17	191	25	
	GFC0600	6"	150	18	165	28	
	GFC0800	8"	200	20	234	52	
	GFC1000	10"	250	24	230	75	
	GFC1200	12"	300	25	161	100	

*FOR SAFE WORKING PRESSURE ABOVE 70°F, MULTIPLY THE PRESSURE SHOWN AT 70°F TIMES THE CORRECTION FACTOR OF THE REQUIRED TEMPERATURE.

MAX INTERMITTENT OFFSET FROM CENTERLINE 1/8"
MAX PERMANENT OFFSET FROM CENTERLINE 3/8"

TEMPERATURE (°F)	FACTOR
70	1.0
200	.91
300	.85
400	.78
500	.77
600	.76



NSF 372 - LEAD FREE

The wetted surface of this product contacted by consumable water contains less than one quarter of one percent (0.25%) of lead by weight. Material complies with state codes and standards, where applicable, requiring reduced lead content.

CUSTOMER: _____

PROJECT: _____

ENGINEER: _____

REV.	1	TEMP FACTOR UPDATED	DATE 12/28/2016
		2323 W. HUBBARD ST. CHICAGO, IL 60612 TEL: 312-738-3800 FAX: 312-738-0415 WWW.METRAFLEX.COM	
		MODEL GFC GRV x FLG FLEXIBLE PUMP CONNECTOR	
DRAWN BY: DKISH		DATE: 1/10/2014	
APPROVED: JC		DATE: 1/10/2014	
SCALE: N/A		DRAWING NUMBER: GFC-1	