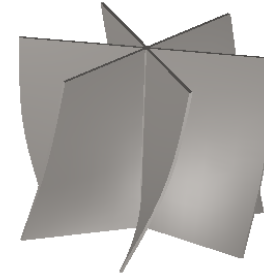
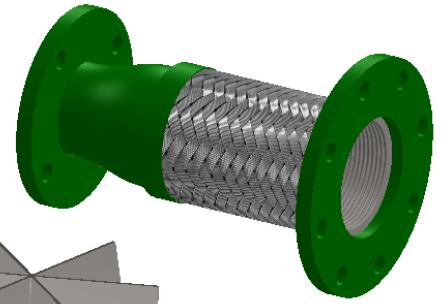
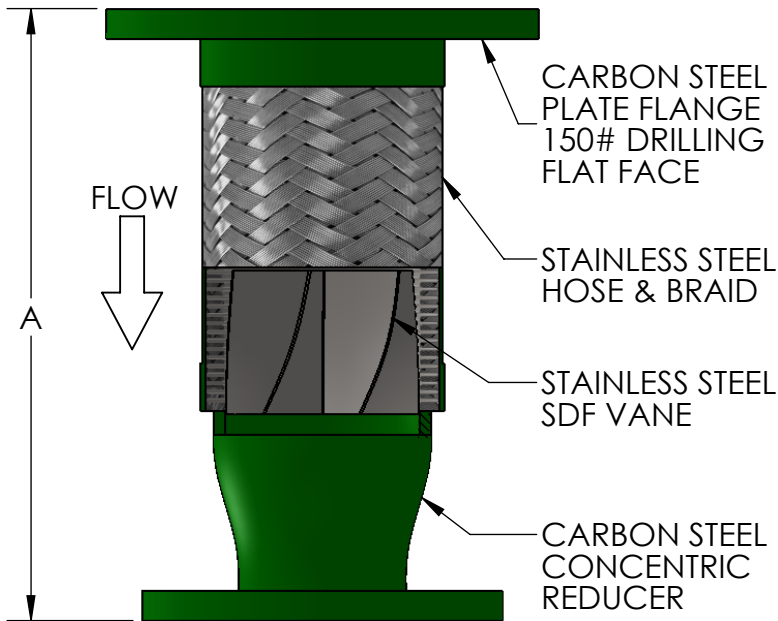


LONG RADIUS  
DESIGNED TO BE INSTALLED  
IMMEDIATELY UP-STREAM OF A  
LONG RADIUS 90° ELBOW.



\*For safe working pressure above 70°F,  
multiply pressure shown at 70°F by  
correction factor of required temp.

| Temperature (°F) | Factor |
|------------------|--------|
| 70               | 1.00   |
| 200              | 0.92   |
| 300              | 0.86   |
| 400              | 0.82   |
| 500              | 0.77   |
| 600              | 0.73   |

| Qty | Part Number | Size (in) | A (in) | PSI @ 70°F | Project Info |
|-----|-------------|-----------|--------|------------|--------------|
|     | SDFLR2502   | 2-1/2 X 2 | 12-1/4 | 345        |              |
|     | SDFLR0302   | 3 X 2     | 12-1/4 | 289        |              |
|     | SDFLR0325   | 3 X 2-1/2 | 12-1/4 | 289        |              |
|     | SDFLR0402   | 4 X 2     | 12-3/4 | 300        |              |
|     | SDFLR0425   | 4 X 2-1/2 | 12-3/4 | 300        |              |
|     | SDFLR0403   | 4 X 3     | 12-3/4 | 300        |              |
|     | SDFLR0525   | 5 X 2-1/2 | 15-3/4 | 220        |              |
|     | SDFLR0503   | 5 X 3     | 15-3/4 | 220        |              |
|     | SDFLR0504   | 5 X 4     | 15-3/4 | 220        |              |
|     | SDFLR0603   | 6 X 3     | 16-1/4 | 200        |              |
|     | SDFLR0604   | 6 X 4     | 16-1/4 | 200        |              |
|     | SDFLR0605   | 6 X 5     | 16-1/4 | 200        |              |
|     | SDFLR0804   | 8 X 4     | 17-1/2 | 190        |              |
|     | SDFLR0805   | 8 X 5     | 17-1/2 | 190        |              |
|     | SDFLR0806   | 8 X 6     | 17-1/2 | 190        |              |
|     | SDFLR1006   | 10 X 6    | 19-1/2 | 150        |              |
|     | SDFLR1008   | 10 X 8    | 19-1/2 | 150        |              |
|     | SDFLR1210   | 12 X 10   | 21-1/2 | 125        |              |

**LEAD FREE**

The wetted surface of this product contacted by consumable water contains less than one quarter of one percent (0.25%) of lead by weight. Material complies with state codes and standards, where applicable, requiring reduced lead content.

MAX PERMANENT OFFSET FROM CENTERLINE - 3/8"  
MAX INTERMITTENT OFFSET FROM CENTERLINE - 1/8"

CUSTOMER: \_\_\_\_\_

PROJECT: \_\_\_\_\_

ENGINEER: \_\_\_\_\_

|  |                              |   |
|--|------------------------------|---|
| REV. 1   | VANE STAINLESS               | DATE 12/3/2013  |
|  |                              | 2323 W. HUBBARD ST.<br>CHICAGO, IL 60612<br>TEL: 312-738-3800<br>FAX: 312-738-0415<br>WWW.METRAFLEX.COM |
| Suction Diffuser Flex with 150# Plate Flanges and a Reducer for Connecting to a L.R. Elbow |                              |   |
| DRAWN BY: <b>DKISH</b>   |                              | DATE: <b>11/22/2013</b>   |
| APPROVED: <b>JC</b>  |                              | DATE: <b>11/22/2013</b>   |
| SCALE: <b>NONE</b>   | DRAWING NUMBER: <b>SDFLR</b> |   |