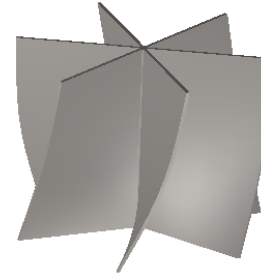
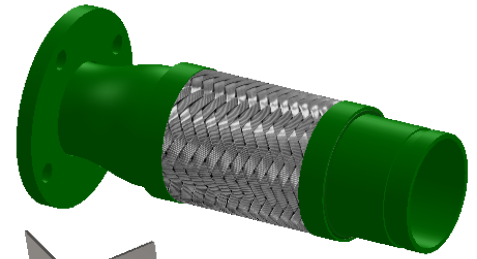
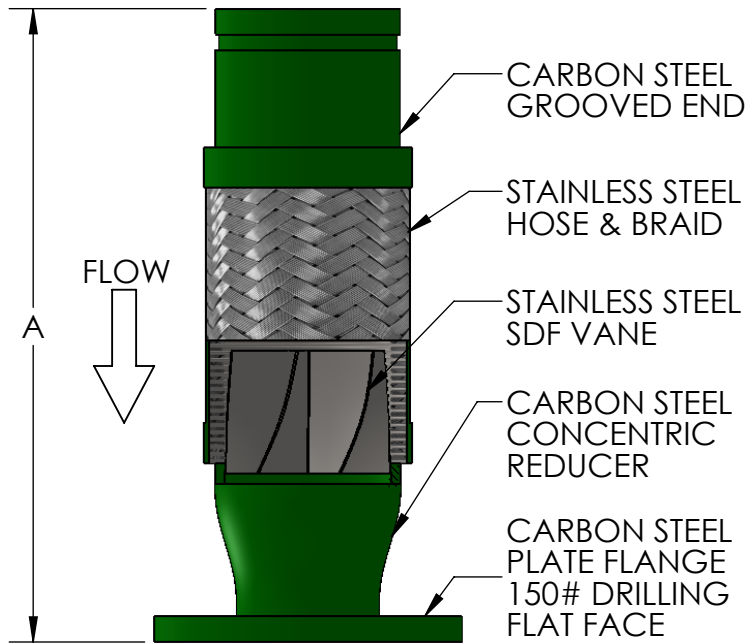


LONG RADIUS
DESIGNED TO BE INSTALLED
IMMEDIATELY UP-STREAM OF A
LONG RADIUS 90° ELBOW.



*For safe working pressure above 70°F,
multiply pressure shown at 70°F by
correction factor of required temp.

Temperature (°F)	Factor
70	1.00
200	0.92
300	0.86
400	0.82
500	0.77
600	0.73

Qty	Part Number	Size (in)	A (in)	PSI @ 70°F	Project Info
	SDFLRGF2502	2-1/2 X 2	15	345	
	SDFLRGF0302	3 X 2	15	289	
	SDFLRGF0325	3 X 2-1/2	15	289	
	SDFLRGF0402	4 X 2	15-1/2	300	
	SDFLRGF0425	4 X 2-1/2	15-1/2	300	
	SDFLRGF0403	4 X 3	15-1/2	300	
	SDFLRGF0525	5 X 2-1/2	18-1/2	220	
	SDFLRGF0503	5 X 3	18-1/2	220	
	SDFLRGF0504	5 X 4	18-1/2	220	
	SDFLRGF0603	6 X 3	19	200	
	SDFLRGF0604	6 X 4	19	200	
	SDFLRGF0605	6 X 5	19	200	
	SDFLRGF0804	8 X 4	21	190	
	SDFLRGF0805	8 X 5	21	190	
	SDFLRGF0806	8 X 6	21	190	
	SDFLRGF1006	10 X 6	23	150	
	SDFLRGF1008	10 X 8	23	150	
	SDFLRGF1210	12 X 10	25	125	

LEAD FREE

The wetted surface of this product contacted by consumable water contains less than one quarter of one percent (0.25%) of lead by weight. Material complies with state codes and standards, where applicable, requiring reduced lead content.

MAX PERMANENT OFFSET FROM CENTERLINE - 3/8"
MAX INTERMITTENT OFFSET FROM CENTERLINE - 1/8"

CUSTOMER: _____

PROJECT: _____

ENGINEER: _____

REV. 1	VANE STAINLESS	DATE 12/3/2013
		2323 W. HUBBARD ST. CHICAGO, IL 60612 TEL: 312-738-3800 FAX: 312-738-0415 WWW.METRAFLEX.COM
Suction Diffuser Flex with Grooved x 150# Plate Flange and Reducer for a L.R. Elbow		
DRAWN BY: DKISH		DATE: 11/22/2013
APPROVED: JC		DATE: 11/22/2013
SCALE: NONE	DRAWING NUMBER: SDFLRGF	