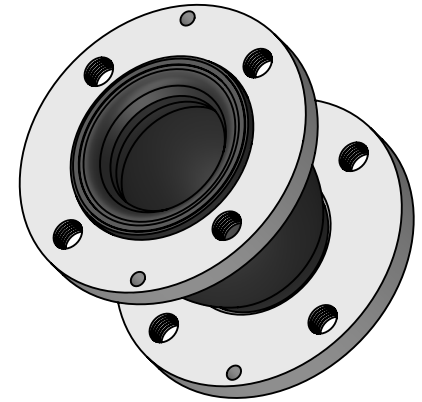


**\*Max Operating Conditions**

Temp. (°F)	Pressure (PSI)
170°	225
180°	200
190°	175
200°	150
210°	125
220°	100
230°	75



MAXIMUM WORKING TEMPERATURE 230°F

**LEAD FREE**

The wetted surface of this product contacted by consumable water contains less than one quarter of one percent (0.25%) of lead by weight. Material complies with state codes and standards, where applicable, requiring reduced lead content.

**Notes:**

For installation instructions go to [www.metroflex.com](http://www.metroflex.com). Joint must be installed at its neutral length, and the bolts properly torqued. Not suitable for steam or vacuum applications. If connecting pipe is not anchored and guided, control units must be used. Contact factory for other sizes.

TO BE FURNISHED WITH CONTROL UNITS:

YES

NO

ITEM	PART NAME	MATERIAL
1	COVER	EPDM
2	TUBE	EPDM
3	ANCHOR WIRE	GALV. STEEL
4	FLANGE	GALV. STEEL, 150#, TAPPED

\*EPDM is the standard elastomer for the interior and exterior covering. Contact factory for other elastomers.

**MOVEMENT CAPABILITY AND FORCES**

Qty.	Part Number	Size I.D. (in)	F/F (in)	AXIAL			DEFLECTION			Weight (Lbs)	Thread Size UNC	
				Comp. (in)	Approx Force (Lbs)	Elong. (in)	Approx Force (Lbs)	Lateral (in)	Approx Force (Lbs)			Angular (Deg)
	MSREE0200	2	6	0.5	55	0.375	73	0.5	55	15	8	0.625
	MSREE0250	2.5	6	0.5	102	0.375	68	0.5	97	15	13	0.625
	MSREE0300	3	6	0.5	136	0.375	115	0.5	108	15	14	0.625
	MSREE0400	4	6	0.625	145	0.375	242	0.5	275	15	18	0.625
	MSREE0500	5	6	0.625	172	0.375	196	0.5	308	15	23	0.75
	MSREE0600	6	6	0.625	293	0.375	563	0.5	484	15	28	0.75
	MSREE0800	8	6	0.625	372	0.5	587	0.5	688	15	40	0.75
	MSREE1000	10	8	0.75	398	0.5	455	0.75	781	15	68	0.875
	MSREE1200	12	8	0.75	390	0.5	356	0.75	842	15	94	0.875

**PROJECT INFO**

CUSTOMER: \_\_\_\_\_

PROJECT: \_\_\_\_\_

ENGINEER: \_\_\_\_\_

REV.

DATE



2323 W. HUBBARD ST.  
CHICAGO, IL 60612  
TEL: 312-738-3800  
FAX: 312-738-0415  
WWW.METRAFLEX.COM

**METRASPHERE STYLE "R"**  
EPDM TAPPED SPHERICAL CONNECTOR

DRAWN BY: **DKISH**

DATE: **11/5/2014**

APPROVED: **JC**

DATE: **11/5/2014**

SCALE:

NONE

DRAWING NUMBER:

MSR-EE-T