

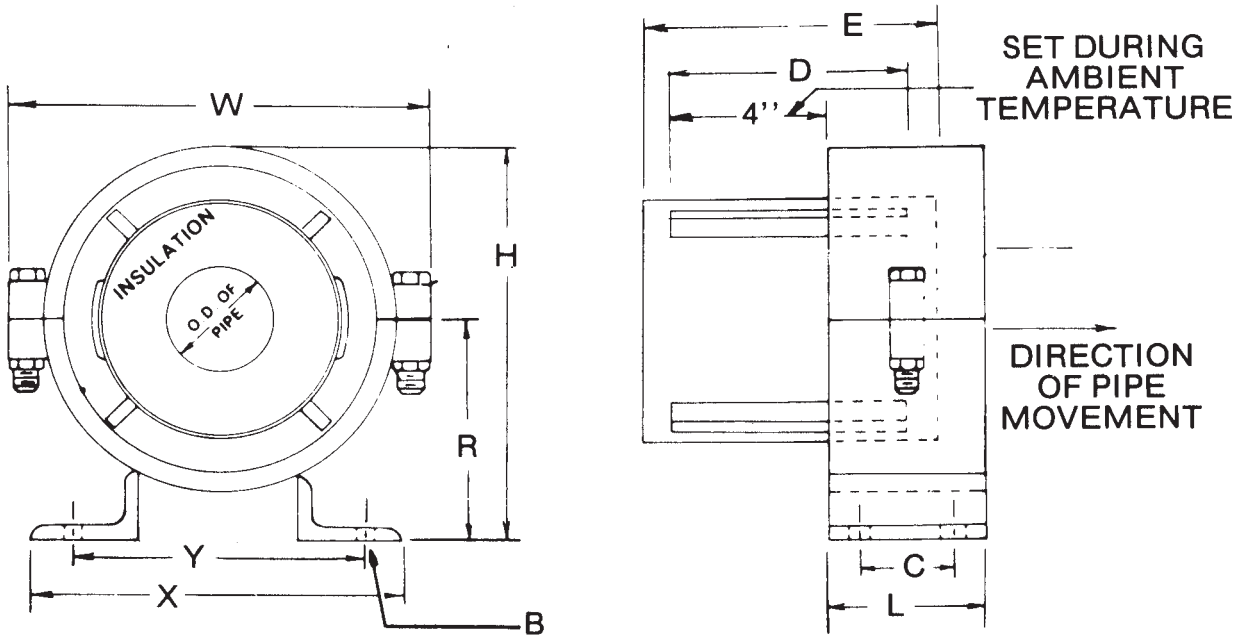
Model PG-PRE Pre-Insulated Series

No metal to metal contact. Pre-insulated pipe guides deliver maximum insulation effectiveness and energy savings. The spider guide provides lateral stability to the pipe to prevent “bowing” and to ensure axial pipe movement in and out of the expansion joint. These guides are not designed to support the weight of the pipe. Maintenance free. Sizes up to 24 inch pipe with 6 inch axial movement.

Pre-Insulated Series Model Selection Chart

PIPE SIZE	INSULATION THICKNESS			
	1-1/2"	2"	3"	4"
1/2"	25	26	27	28
3/4"	25	26	27	28
1"	25	26	27	28
1-1/4"	26	26	27	28
1-1/2"	26	27	28	29
2"	26	27	28	29
2-1/2"	27	27	28	30
3"	27	27	28	30
4"	27	28	29	30
5"	28	28	30	31
6"	28	29	30	31
8"	30	30	31	32
10"	31	31	32	33
12"	32	32	33	34
14"	32	33	34	35
16"	33	34	35	-
18"	34	35	36	36

Using the desired insulation thickness and pipe size, choose the model number from this chart and note it on the pre-insulated pipe guide drawing on the following page.



TOTAL QTY	PIPE SIZE	MODEL	H	R	W	X	Y	B	C	L	MAX. MOVE	WT. (LBS.)
		25	7-5/8"	4-1/2"	8-1/8"	6-11/16"	5-1/8"	5/8"	1-3/4"	3"	6"	
		26	9-1/4"	5-1/4"	10-1/8"	7-1/2"	6-1/8"	5/8"	1-3/4"	3"	6"	
		27	11-5/8"	6-1/4"	12-1/8"	8-9/16"	7"	5/8"	2-3/4"	4"	6"	
		28	13-3/8"	7"	14-1/8"	9-11/16"	8-1/4"	5/8"	2-3/4"	4"	6"	
		29	15-1/8"	7-7/8"	16-1/8"	12"	9-7/8"	3/4"	4"	6"	6"	
		30	17"	8-7/8"	19-1/8"	13"	10-7/8"	3/4"	4"	6"	6"	
		31	18-3/4"	9-3/4"	20-1/8"	14"	11-7/8"	3/4"	4"	6"	6"	
		32	21"	10-7/8"	22-1/8"	14"	11-3/4"	3/4"	4"	6"	6"	
		33	23-1/8"	12-1/8"	24-1/8"	16-7/8"	14-1/2"	7/8"	6"	8"	6"	
		34	25"	13"	26-1/8"	18"	15-1/2"	7/8"	6"	8"	6"	
		35	27-3/4"	14-3/4"	28-1/8"	19-1/4"	17-1/8"	1-1/8"	6"	8"	6"	
		36	31-1/2"	16-1/2"	32-1/8"	21-1/4"	19-1/4"	1-1/8"	6"	8"	6"	

Compressibility is 100 P.S.I. Vapor barrier is part of the insulation.
 Note: Factory insulation is a hydrous calcium silicate, maximum temperature is 1200°F.
 To order: Specify pipe size and maximum insulation thickness.

CUSTOMER _____
 PROJECT _____
 ENGINEER _____
 ARCHITECT _____
 PRO. OR P.O. NO _____



DESCRIPTION:
PRE-INSULATED SERIES

DRAWN BY: **JRR** DATE: **1/05** DRAWING NO: **PG -PRE**