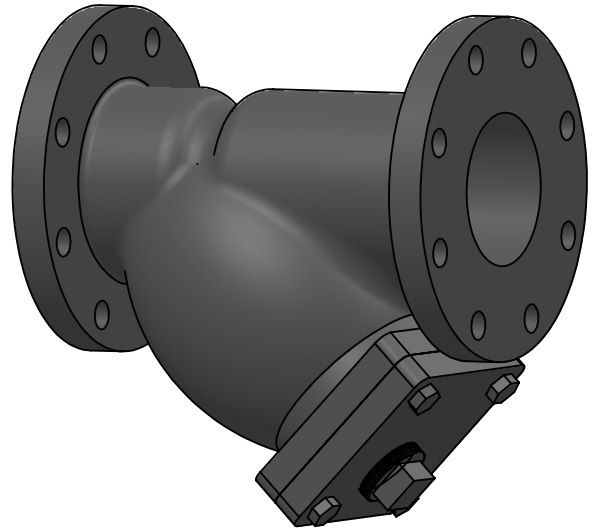
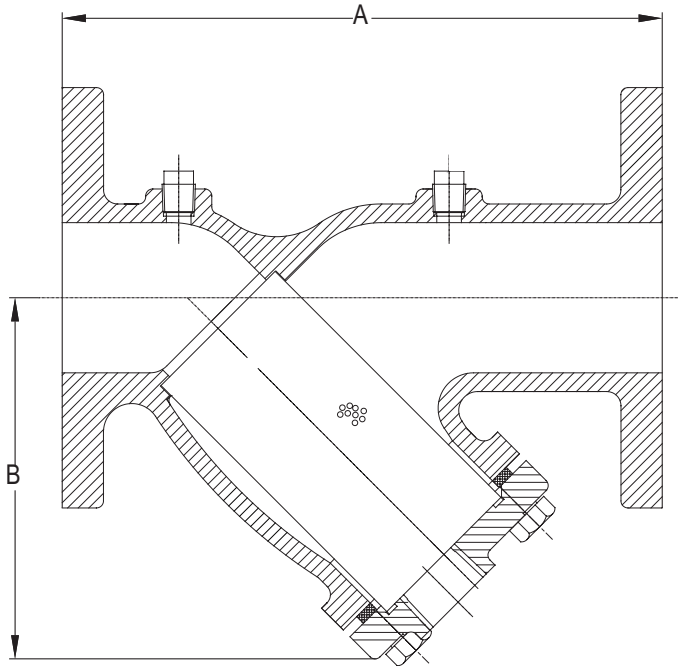


**MODEL M2KN  
250# FLANGED STRAINER**



**MATERIALS OF CONSTRUCTION**

BODY, COVER - CAST IRON  
SCREEN - 304 STAINLESS STEEL  
GASKET - COMPOSITION

**OPERATING TEMPERATURE/PRESSURE**

WATER, OIL, GAS...2" TO 12" - 500 PSI @ 150°F  
STEAM.....2" TO 12" - 250 PSI @ 450°F

**STANDARD SCREENS**

SERVICE	SIZE	PERF
LIQUID	2 - 4"	1/16"
	5" & UP	1/8"
STEAM	2" - 10"	3/64"
	12"	1/16"
	14" & UP	1/8"

QTY	PART NUMBER	PIPE SIZE		A	B	Cv# (GPM)	SCREEN AREA (in <sup>2</sup> )	PORT SIZE (NPT)	BLOWOFF SIZE (NPT)	WEIGHT (LBS)
		INCH	MM							
	M2KN0200	2"	50	9-5/16"	6-1/4"	62	28.84	1/4"	1/2"	33
	M2KN0250	2-1/2"	65	11-1/16"	7-3/4"	98	45.47	1/4"	1"	49
	M2KN0300	3"	80	12-5/8"	8-1/4"	155	54.68	1/4"	1"	57
	M2KN0400	4"	100	15-5/8"	10-1/8"	269	91.12	1/4"	1-1/4"	106
	M2KN0500	5"	125	18-1/4"	12-1/2"	364	143.94	1/4"	1-1/4"	157
	M2KN0600	6"	150	20-3/16"	14-3/8"	585	237.76	1/4"	1-1/2"	215
	M2KN0800	8"	200	25-1/8"	17-1/2"	942	345.30	1/4"	1-1/2"	315
	M2KN1000	10"	250	29-1/8"	21"	1572	537.30	1/4"	2"	525
	M2KN1200	12"	300	33-3/4"	23-5/8"	2261	596.07	1/4"	2"	700
	M2KN1400	14"	350	37-1/4"	27-1/8"	3479	1041	N/A	2"	1400
	M2KN1600	16"	400	42-3/8"	19-1/4"	5060	1341	N/A	2"	1850

#Cv IS THE FLOW RATE IN GALLONS OF 60°F WATER THAT WILL PASS THROUGH THE STRAINER IN 1 MINUTE AT A 1 PSI PRESSURE DROP.


**NSF 372 - LEAD FREE**

The wetted surface of this product contacted by consumable water contains less than one quarter of one percent (0.25%) of lead by weight. Material complies with state codes and standards, where applicable, requiring reduced lead content.

CUSTOMER: \_\_\_\_\_

PROJECT: \_\_\_\_\_

ENGINEER: \_\_\_\_\_

REV.	DATE
	
2323 W. HUBBARD ST. CHICAGO, IL 60612 TEL: 312-738-3800 FAX: 312-738-0415 WWW.METRAFLEX.COM	
<b>MODEL M2KN</b> 250# FLANGED STRAINER	
DRAWN BY: DKISH	DATE: 3/28/2019
APPROVED:	DATE:
SCALE: N/A	DRAWING NUMBER: M2KN-1